

A

B

C

D

E

F

G

A

B

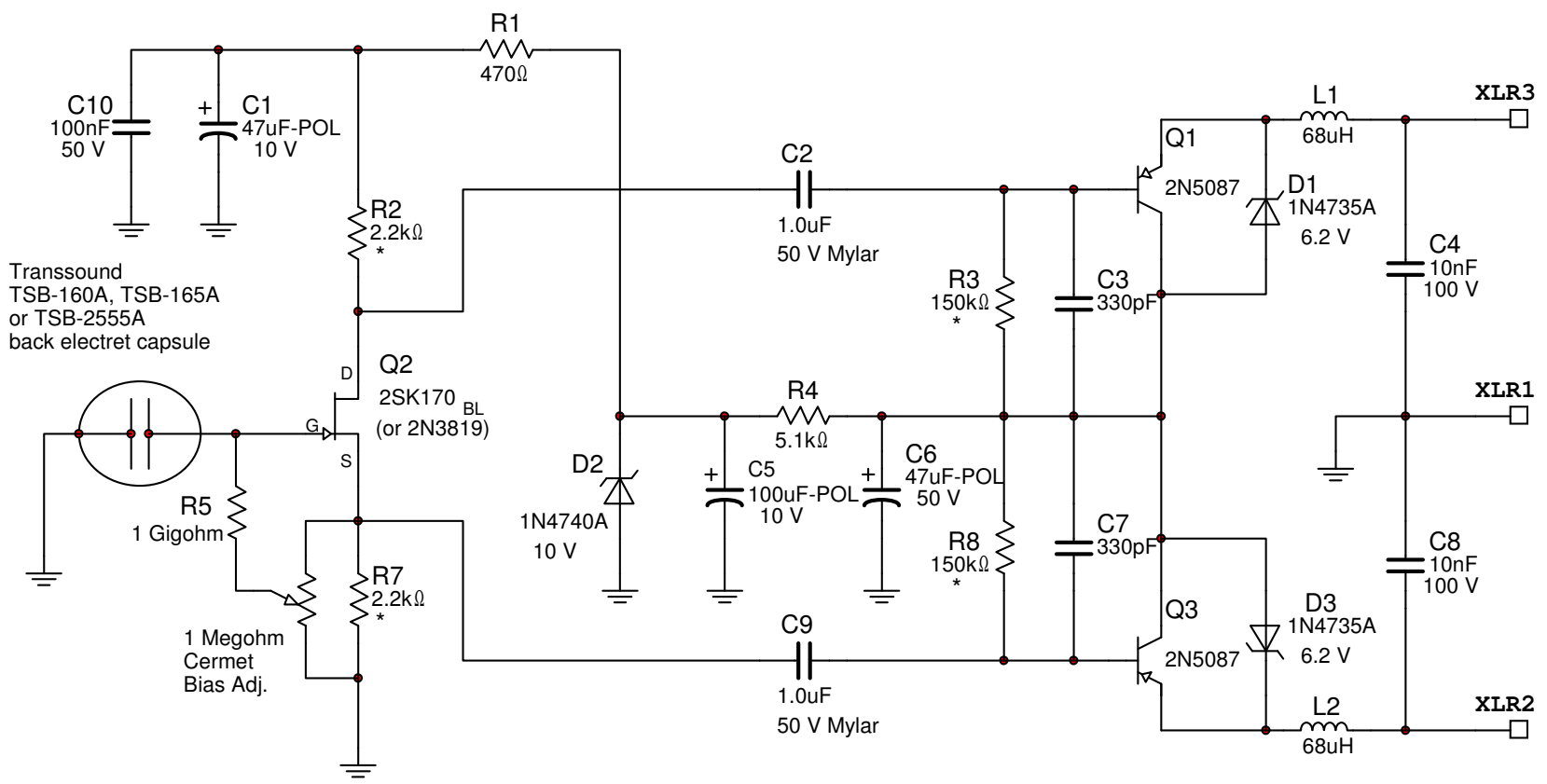
C

D

E

F

G



Transsound
TSB-160A, TSB-165A
or TSB-2555A
back electret capsule

* Resistor pairs matched to 1% or better.

NOTES: Q1 and Q3 may be 2N5087, 2N5401.or
BC559C. Q1 and Q3 should be Hfe matched.
All resistors are metal film.

Title: Generic Back Electret Condenser Microphone		
ZAPNSPARK		
Designed by:	Document N: 0001	Revision: 9.6
Checked by: J.G. 11:48:43	Date: 2007-03-20	Size: A
Approved by: J.G. 11:48:43	Sheet 1 of 1	