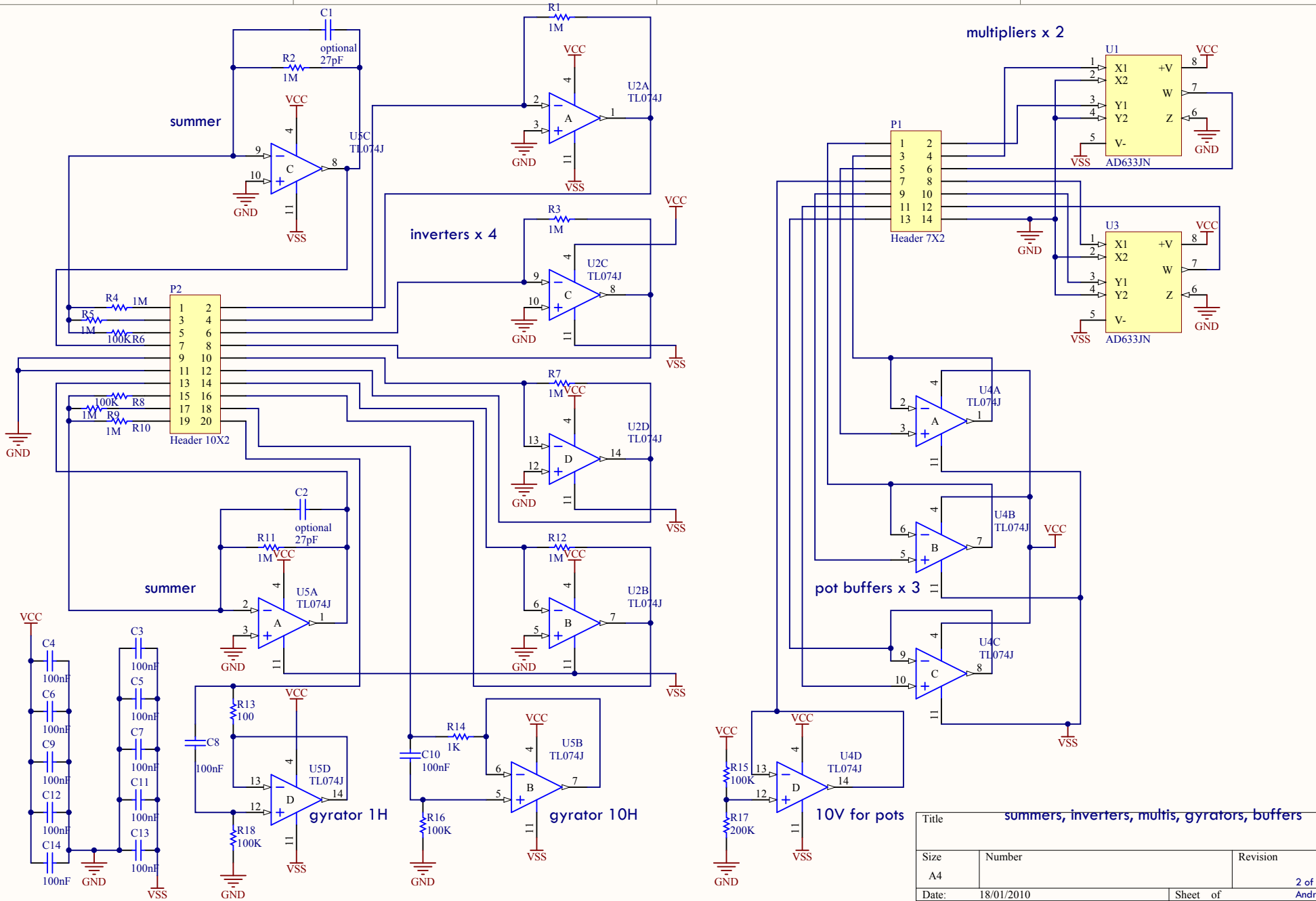
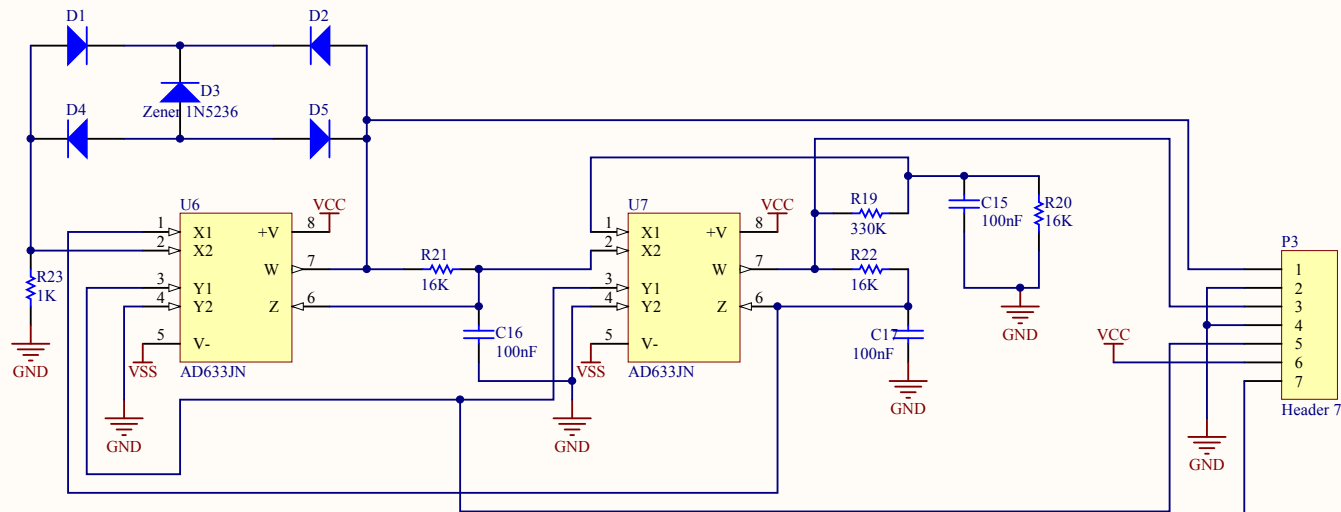


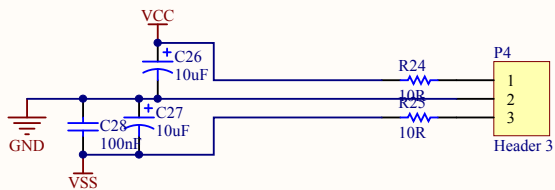
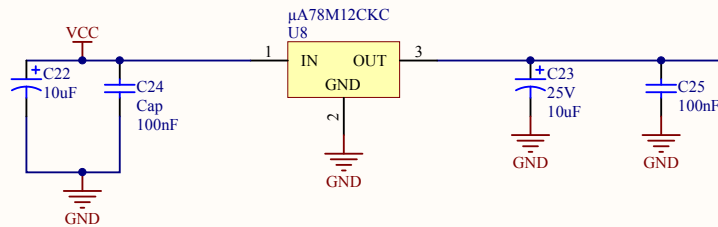
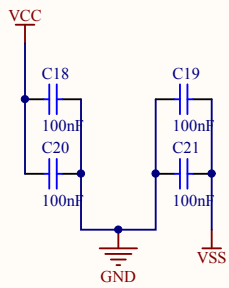
Title FYP Integrators x 4 Vers.1		
Size A4	Number page 1	Revision
Date: 18/01/2010	Sheet of Andrew Fitch	
File: C:\Program Files\...\FYP2 INTX4.SchDoc	Drawn By:	



Title			summers, inverters, multis, gyrotors, buffers		
Size	Number			Revision	
A4				2 of 3	
Date:	18/01/2010	Sheet of	Andrew Fitch		
File:	C:\Program Files\...\FYP2 INVBUFFMULT.DSN		Drawn By:		

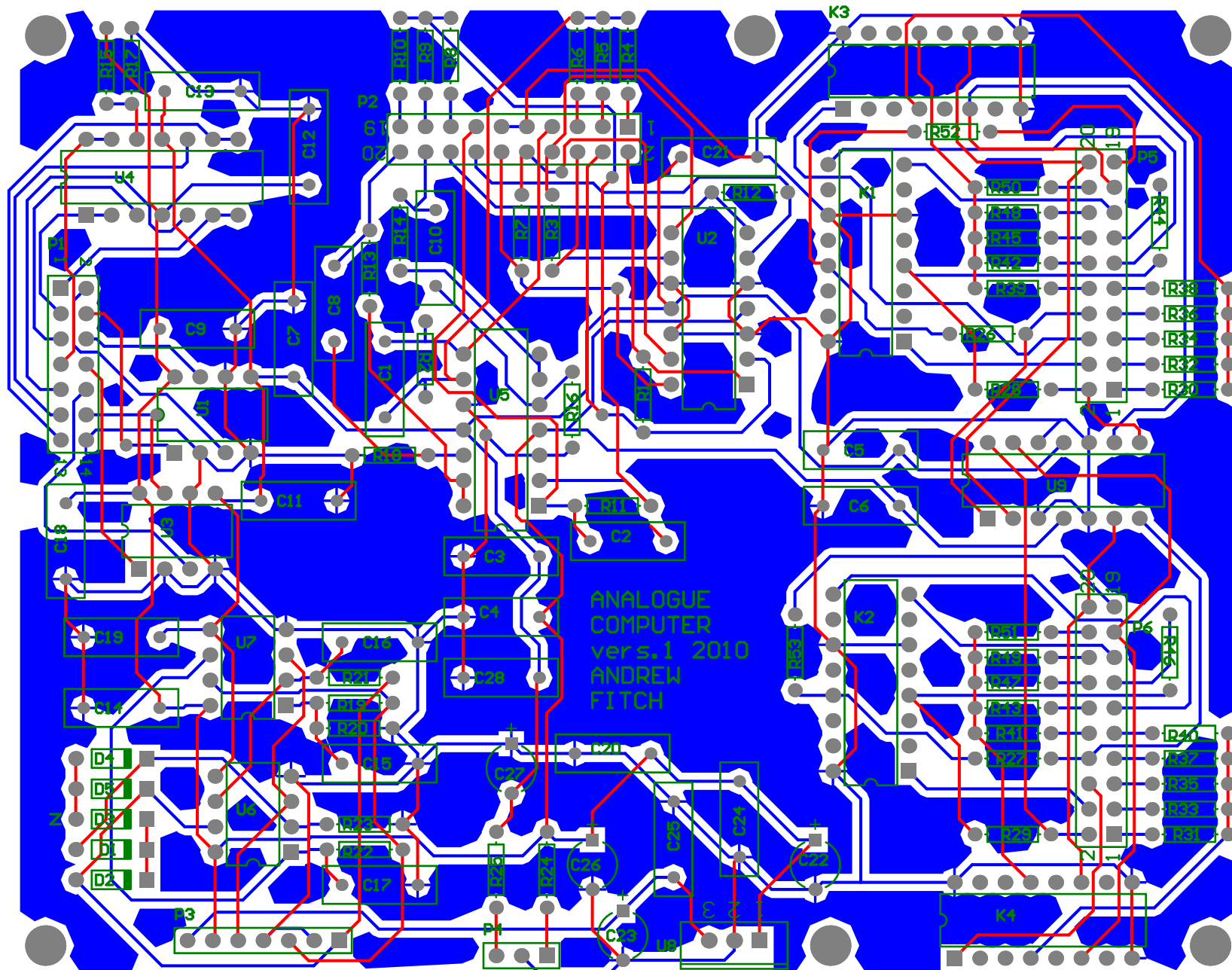


QUADRATURE OSCILLATOR



Title		
AD633 QUO PSU+/-15V		
Size	Number	Revision
A4		
Date:	18/01/2010	Sheet of
File:	C:\Program Files\...\FYP2 QUO 12V.SchDoc Drawn By Andrew Fitch	

3900.00 (mil)



5900.00 (mil)

Bill of Materials

<Parameter Title not found>

Source Data From: FYPvers2.PrjPcb
 Project: FYPvers2.PrjPcb
 Variant: None

Creation Date: 18/01/2010 12:15:42 PM
 Print Date: 40196 40196.51102

Footprint	Comment	LibRef	Designator	Description	Quantity
RAD-0.3	optional	Cap	C1, C2	Capacitor	2
RAD-0.3	Cap	Cap	C3, C4, C5, C6, C7, C8, C9, C10, C11, C12, C13, C14, C15, C16, C17, C18, C19, C20, C21, C24, C25, C28	Capacitor	22
CAPPR5-5x5	Cap Pol1	Cap Pol1	C22, C26, C27	Polarized Capacitor (Radial)	3
CAPPR5-5x5	25V	Cap Pol1	C23	Polarized Capacitor (Radial)	1
DO-35	Diode 1N914	Diode 1N914	D1, D2, D4, D5	High Conductance Fast Diode	4
DO-35	Zener 1N5236	Diode 1N914	D3	High Conductance Fast Diode	1
DIP16	Relay-DPDT	Relay-DPDT	K1, K2, K3, K4	Dual-Pole Dual-Throw Relay	4
HDR2X7	Header 7X2	Header 7X2	P1	Header, 7-Pin, Dual row	1
HDR2X10	Header 10X2	Header 10X2	P2	Header, 10-Pin, Dual row	1
HDR1X7	Header 7	Header 7	P3	Header, 7-Pin	1
HDR1X3	Header 3	Header 3	P4	Header, 3-Pin	1
AXIAL-0.3	Res1	Res1	R1, R2, R3, R4, R5, R6, R7, R8, R9, R10, R11, R12, R13, R14, R15, R16, R17, R18, R19, R20, R21, R22, R23, R24, R25, R26, R27, R28	Resistor	28
J014	AD633JN	AD633JN	U1	Low-Cost Analog Multiplier	1
J014	TL074J	TL074J	U2, U4, U5	Low-Noise JFET-Input Operational Amplifier	3
P008	AD633JN	AD633JN	U3	Low-Cost Analog Multiplier	1
N-8	AD633JN	AD633JN	U6, U7	Low-Cost Analog Multiplier	2
KC03	µA78M12CKC	µA78M12CKC	U8	Positive-Voltage Regulator	1
					77

Approved	Notes

