

nonlinearcircuits

DelayNoMore

build notes version 1

26 Oct 2014

Important fix for vers1 only - One 10k resistor needs to be changed to 100k, see mods.

If your PCB has no version #, it is not a version 1

BOM - let me know if I missed something!

component	quantity	
100k pot	6	<i>see notes</i>
50k pot	1	<i>can be 100k, no biggie</i>
1M pot	1	
TL072	1	DIP
PT2399	2	DIP
BC547	1	any general NPN okay, pinout suits BC547
78L05	1	
single vactrol	1	I used Silonex NS-32
CAPS		
10uF (25v or higher rating)	8	2.5mm pin spacing
47pF	1	1206 or 0805
1nF	2	1206 or 0805
10nF	2	1206 or 0805
47nF	4	1206 or 0805
100nF	7	1206 or 0805
1uF	1	1206 or 0805
3.5mm mono sockets	3	kobiconn type, Tayda has them
LED	1	
10 pin power connector	1	
<u>thru-hole resistors</u>		
10R	2	
<u>1206 or 0805 resistors</u>		
1k	6	
2k2	1	
10k	7	<i>see notes</i>
47k	4	
100k	3	<i>see notes</i>

NOTES

Building

pots

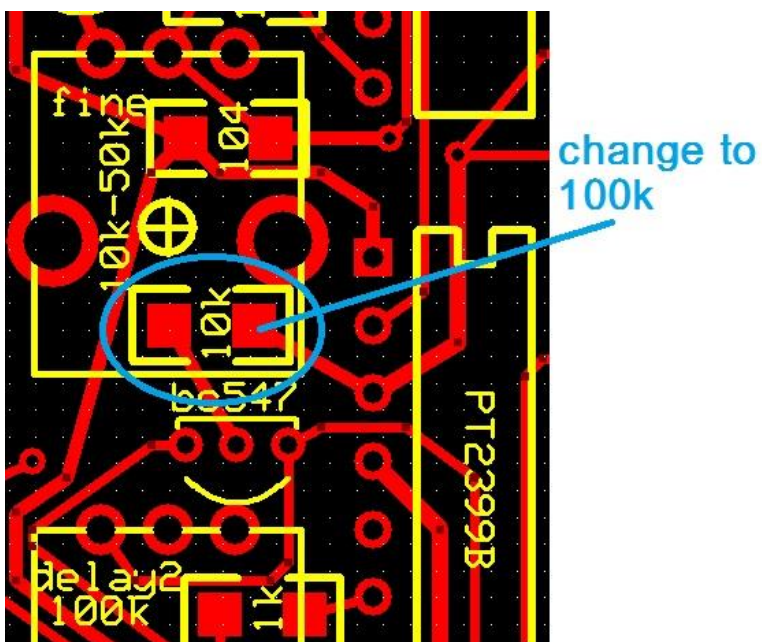
These ones from Tayda will do, though be careful none of the metal flaps/tabs are sitting on PCB traces, trim them back if so. You can find many brands of this type of pot, Alpha make nice ones too.

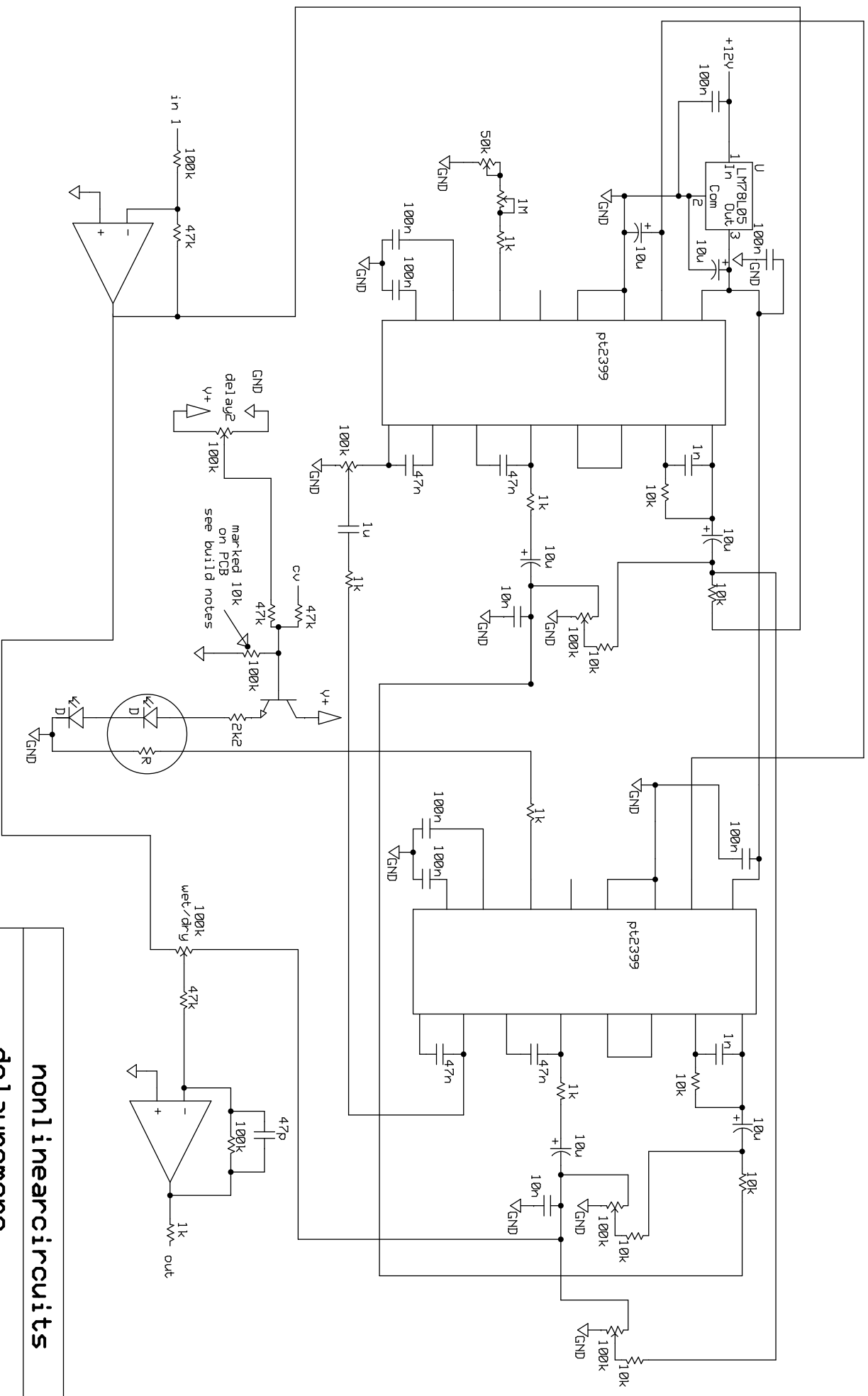
<http://www.taydaelectronics.com/potentiometer-variable-resistors/rotary-potentiometer/linear/100k-ohm-linear-taper-potentiometer-round-shaft-pcb-9mm.html>



Mod for vers 1 only, printed in bottom left corner. If blank, this mod has been implemented in your PCB.

One resistor, marked '10k' on the PCB, needs to be changed to 100k. It is situated just above the BC547 transistor





non linear circuits

del ay nomore