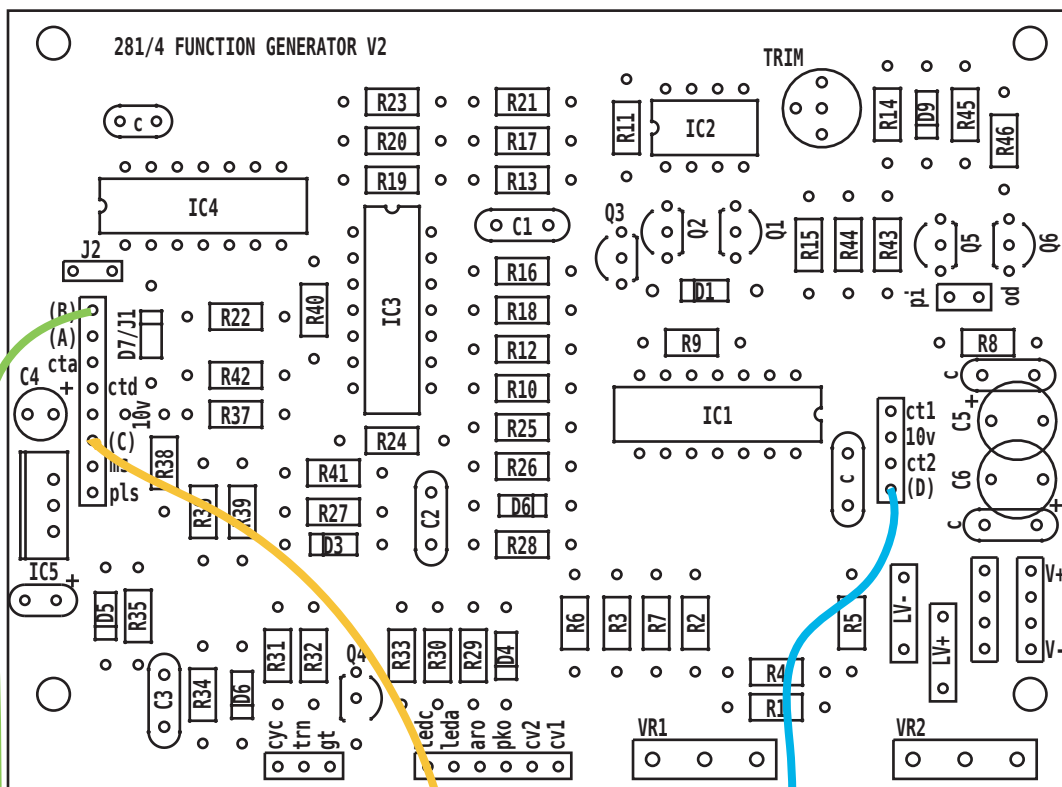


"A" BOARD



INTER-BOARD WIRING

WIRE (D) FROM "A" BOARD TO (A) ON "B" BOARD THROUGH 47K RESISTOR [NOT ON PCB].

WIRE (C) FROM "A" BOARD TO (D) ON "B" BOARD

WIRE (B) ON BOTH BOARDS TO QUADRATURE SWITCH AS SHOWN. NOTE THAT IN THE 10V POSITION, QUAD MODE IS OFF.

"B" BOARD

