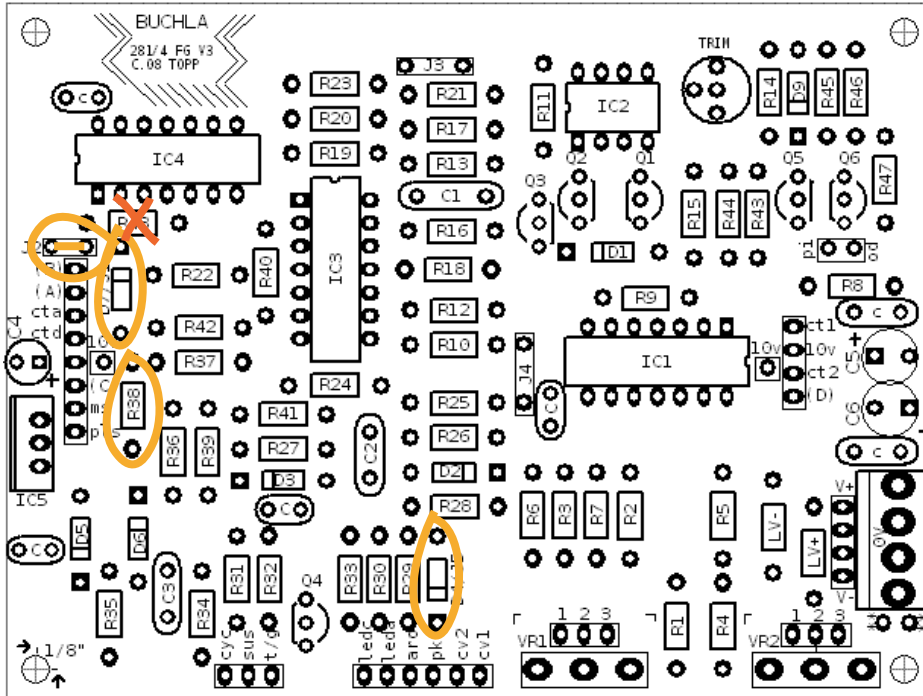


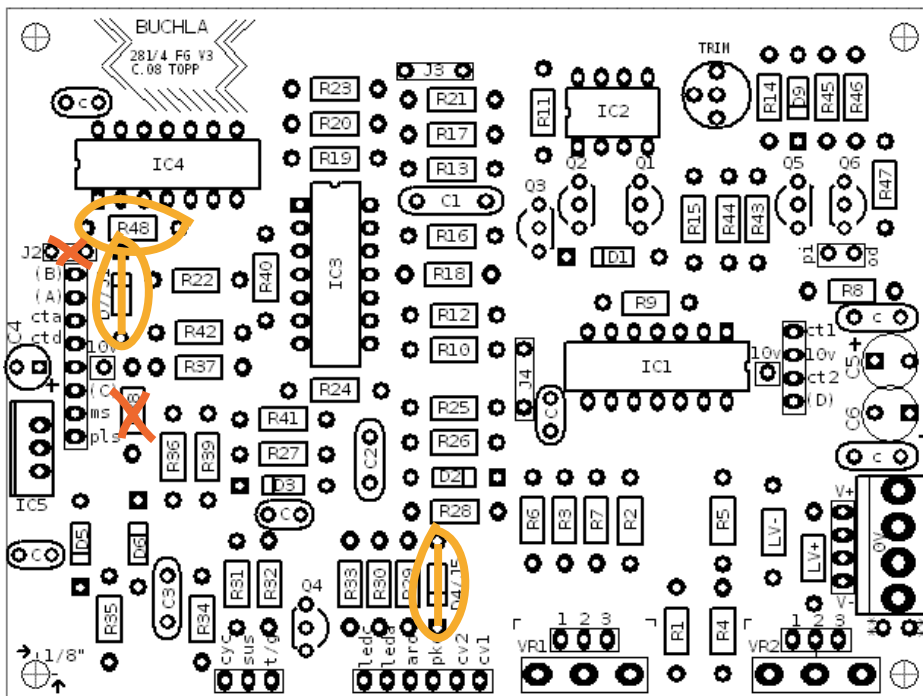
"A" VS. "B" BOARD V3



"A" BOARD

INSTALL J2
INSTALL D4
INSTALL D7
INSTALL R38

DON'T INSTALL R48



"B" BOARD

INSTALL J1
INSTALL J5
INSTALL R48

DON'T INSTALL R38
DON'T INSTALL J2